

Manufactured by



The Power of Light for Surgery

Lightweight in the hand.

LED light where you need it.

Durable, cordless, and maneuverable.

koplighTM

Cordless Lighted Retractor



MADE IN JAPAN 

Manufactured by



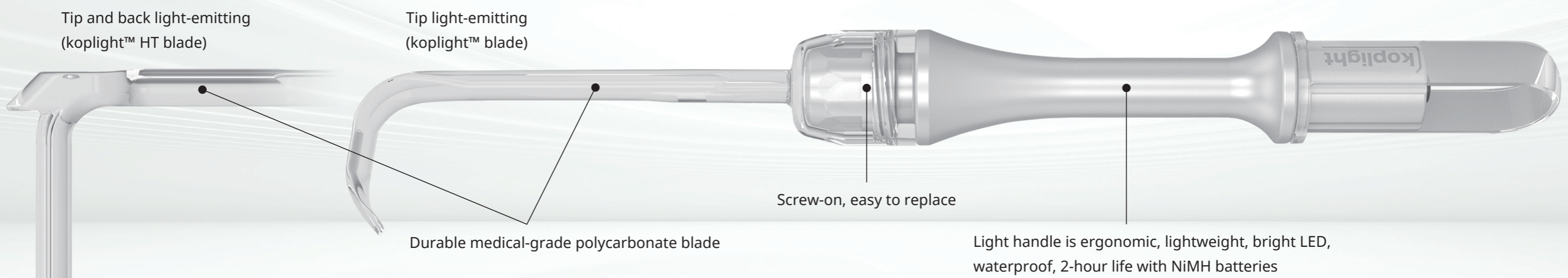
Since 1930



MADE IN JAPAN CE

**Cordless.
Lightweight.
Bright.**

The **kopligh™** lighted retractor is cordless (battery-operated) and uses LED light illumination. The resilient, clear plastic blade is nonconductive and easily switched out to suit varying surgical needs. A lightweight, strong, and very bright medical device to help surgeons do their work safely and efficiently.



CLEARLY A BETTER CHOICE

Conventional metal retractors

- Surgical light has limited reach
- Metal can hide bodily tissue
- Conductivity can lead to electric scalpel burns
- Obstructs X-ray fluoroscopy and CT-guided operations

Operate with ease and precision

kopligh™

- **LED light directly illuminates** deep and narrow areas
- Transparent blade keeps tissue visible
- Nonconductive, reduces risk of electric scalpel burns
- Hidden from X-ray fluoroscopy and CT-guided operations

KEY FEATURES & BENEFITS

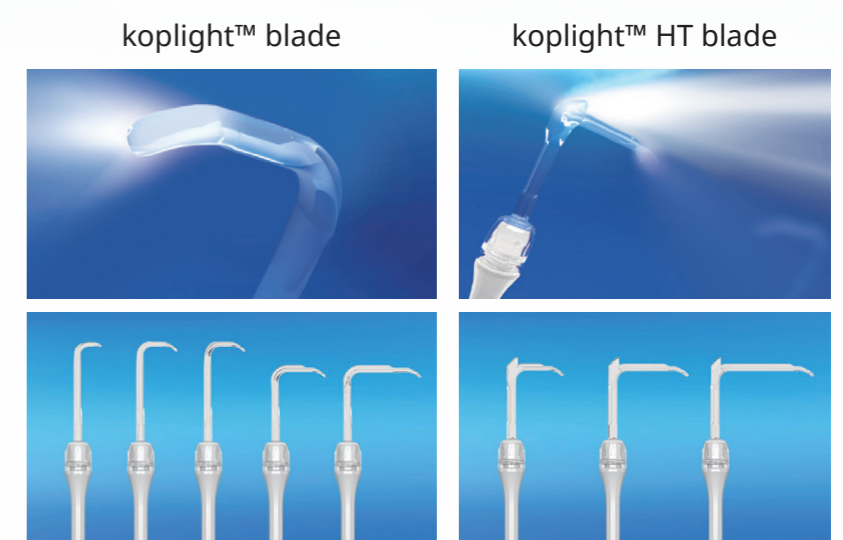
Highly durable, safe, clear
The transparent blade is made of polycarbonate, a material used in bullet-proof glass. This naturally transparent and nonconductive plastic makes the kopligh™ blade virtually unbreakable under normal operating conditions. It also aids clear visibility.

Light for the operative field
The kopligh™ light handle can be loaded with large-capacity NiMH batteries to maximize its usage time. Together with its sleek optical design, kopligh™ dependably and brightly illuminates the operative field.

Cordless, lightweight, maneuverable
kopligh™ only weighs 100–150 g. Battery-powered, cordless, and with a light aluminum handle, it's easy for surgeons to continually grasp, maneuver, and reposition.

Battery inserter
The battery inserter allows batteries to be loaded into the light handle without contaminating the exterior.

BLADE VARIATIONS



KS-1	KS-2	KS-3	KS-4	KS-5	Model Code	KS-4H	KS-5H	KS-6H
10	13	18	18	25	Tip width	18	25	25
30	45	45	59	84	Blade length	61	86	111
139	139	139	113	113	Total length	122	122	122

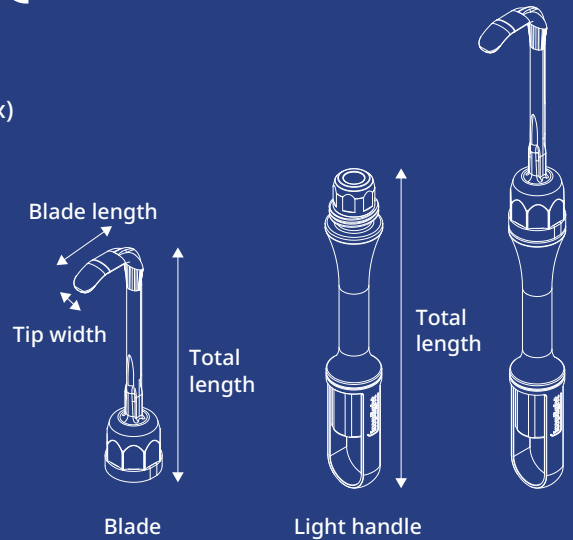
(mm)



MADE IN JAPAN

Blade models

Product name	Model code	Dimensions (mm)			(12-pc retail box)
		Tip width	Blade length	Total length	
koplight™ blade	KS-1	10	30	139	KS-1-12
	KS-2	13	45	139	KS-2-12
	KS-3	18	45	139	KS-3-12
	KS-4	18	59	113	KS-4-12
	KS-5	25	84	113	KS-5-12
koplight™ HT blade	KS-4H	18	61	122	KS-4H-12
	KS-5H	25	86	122	KS-5H-12
	KS-6H	25	111	122	KS-6H-12



- Sterilized or unsterilized blades to accommodate countries/areas and their regulations.

Light handle

Product name	Model code/ Product code	Total length (mm)	Retail box content
koplight™ light handle	KG-1-SI	188	1 × koplight™ light handle and accessories

- The light handle is non-sterile and reusable. Cleaning and sterilization are needed before each use.
- Waterproof rating: IPX-7 (1 m water depth for 30 min. The tail cap should be firmly tightened)
- Battery life: 2 hours with high-end NiMH rechargeable batteries (2 × AAA, actual capacity of ≥900 mAh)

Note: Batteries are not included in the package. To be purchased separately.



MT Promedt Consulting GmbH

Altenhofstrasse 80 66386
St. Ingbert Germany
Tel: +49 6894 581020
www.mt-procons.com

Manufacturer



Since 1930

ISO 13485

Yasui Co., Ltd.

2725 Oazakakusa, Kadogawa-cho,
Higashiusuki-gun, Miyazaki 889-0697 Japan
Tel: +81-982-63-7111
www.yasui-kk.co.jp/en
info@yasui-os.jp



Yasui Co., Ltd. was founded in 1930 in Osaka as a printing company. We later broadened into areas including injection molding (mainly medical device parts) and medical products (original and OEM).

We are ISO 9001 and ISO 13485 certified, reinforcing quality control and management to meet high international standards.

We applied 90+ years of innovation and quality control in Japanese manufacturing to develop **koplight™**, an original design that meets specific clinical needs. Yasui Medical is aggressively expanding its global reach, bringing Made in Japan quality to the world's markets.

